



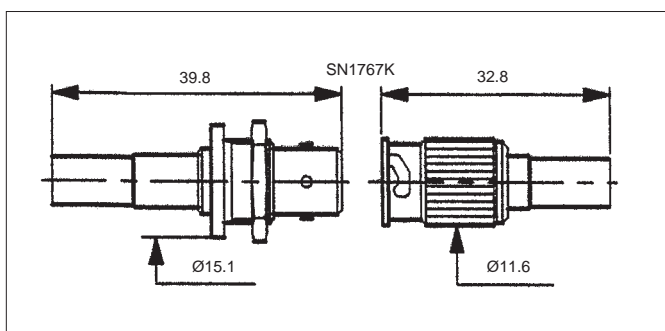
## Bus 1553 B connectors



The increase of on-board equipment and the implantation of local networks (Bus networks) have produced major space and weight savings.

The most common standard is the Bus, MIL-STD 1553 B. It has various applications :

- Missiles,
- Launchers,
- Tanks,
- Helicopters...



### • Single-way connectors with triaxial interface

• **SN 1767** : connectors with bayonet locking with performance conforming to MIL-C-39029/90 A and 91 A, linked to cable by crimping.

#### basic series SN 1767K

★★★★

★

- 0970** - Male plug
- 0971** - Female cable connecting receptacle
- 0972** - Female receptacle with jam nut fixation

Number of bayonets (3 or 4)

### Electrical

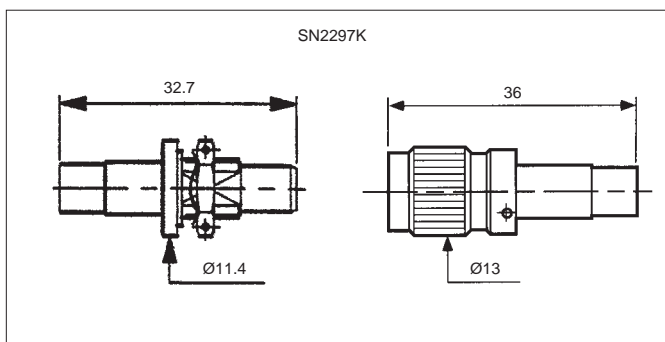
- Frequency range : 20 MHz
- Impedance : 77 Ω
- Insulation resistance/500 V : 5000 MΩ
- Contact resistance : ≤5mΩ
- Withstanding voltage : 500 V

### Climatic

- Temperature : -65°C to +200°C
- Watertightness-hermeticity : 1 bar

### Mechanical

- Shell material : copper alloy
- Contact material : copper alloy
- Plating : gold over nickel
- Locking system : bayonet
- Polarization : yes
- Number of cycles max. : 500



• **SN 2297** : connector conforming to the standard project EN 3716-001, with screw locking, linked by crimping to shielded twin twisted cable, defined by the EN 3375 standard.

### Ordering information

#### basic series SN 2297 K

★★★★

★

★

- 005** - Jam-nut receptacle
- 006** - plug

Contact type - (M : male - F : female)

Cable type (please consult us)

### Electrical

- Frequency range : 20 MHz
- Impedance : 77 Ω
- Insulation resistance/500 V : 5000 MΩ
- Contact resistance : ≤5mΩ
- Withstanding voltage : 500 V

### Climatic

- Temperature : -65°C to +150°C
- Salt spray : 250 h mated  
48 h unmated
- Watertightness-hermeticity : 4,7 Kpa in low pressure immersion

### Mechanical

- Shell material : copper alloy
- Contact material : copper alloy
- Plating shell : tin
- Plating contact : gold
- Locking system : screw
- Polarization : no
- Number of cycles max. : 500



## Triaxial 1553 B databus contacts for standard connectors



These triaxial databus contacts are mounted in the same way as standards contacts in standard connectors.

- **Mil-C-38999 series 1 and 3 connectors**
- **SN 1767** : triaxial contact ≠ 08 interface conforming to MIL-C-39029/90A and 91A
- **SN 2044** : triaxial contact for HE 308 and ARINC 600 connectors, high frequency applications : 2 Ghz.

### Ordering information

basic series	SN 1767 K	★★★★	★
988	- male contact		
998	- female contact		
818	- male load contact		
819	- female load contact		
4571	- watertightness boot		
	Please consult us for NATO part numbers		

### Electrical

#### SN 1767

- Frequency range : 20 MHz
- Impedance : 77 Ω
- Insulation resistance/500 V : 5000 MΩ
- Contact resistance : ≤5mΩ
- Withstanding voltage : 500 V

#### SN 2044

- Frequency range : 2 GHz
- Impedance : 50 Ω
- Insulation resistance/500 V : 5000 MΩ
- Contact resistance : ≤5mΩ
- Withstanding voltage : 500 V

### Climatic

- Temperature : -65°C to +125°C
- Salt spray } See standard
- Watertightness } connectors catalogue

### Mechanical

- Shell material : copper alloy
- Contact material : copper alloy
- Number of cycles max. : 500

#### • D-Sub connectors (HE 507; UTE-C-93569)

- **SN 1447** : triaxial databus contact ≠ 10
- **SN 1908** : twinaxial contact ≠ 10

#### Part numbers :

- **SN 1447 KF 100** : female contact
- **SN 1447 KM 100** : male contact

### Ordering information

basic series	SN 1908 K	★
1, 2 or 3	- male contact, straight, angled or with spills	
4, 5 or 6	- female contact, straight, angled or with spills	

### Electrical

- Frequency range : 20 MHz
- Impedance : 77 Ω
- Insulation resistance/500 V : 5000 MΩ
- Contact resistance : ≤5mΩ
- Withstanding voltage : 500 V

#### SN 1447

- Temperature : -55°C to +125°C
- Salt spray } See standard
- Watertightness } connectors catalogues

### Climatic

#### SN 1908

- Temperature : -65°C to +150°C
- Salt spray } See standard
- Watertightness } connectors catalogues

#### • DOD 83527 connectors

- **SN 1909** : contact with triaxial interface conforming to MIL-C-39029/96